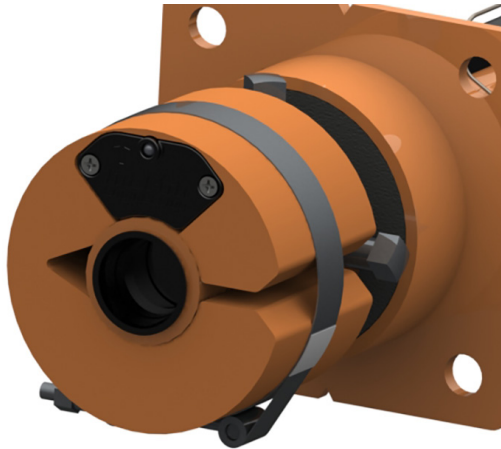


N2[®] Position Indicator



The intuitive **N2[®] Position Indicator** remotely monitors the position of the belt cleaner blade, allowing for estimation of blade life, notification when re-tensioning or replacement is required, and warning in the event of an abnormal condition.

The N2[®] Gateway receives information from up to 200 N2[®] Position Indicators and transmits information to the cloud for monitoring via the Martin[®] Smart Device Manager mobile application.

BENEFITS

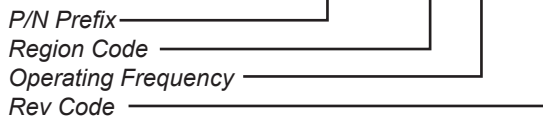
- Know when blade change is required
- Know when to re-tension
- Know when the blade is not in contact with the belt
- Know when an abnormal condition is present
- Warning of any substantial change in temperature
- 1–2 year battery life from lithium ion AA batteries

N2[®] POSITION INDICATOR ACCESSORIES

Part Number	Description
EC1SQCHP1007	HD/PV Mainframe Extender
EG10062	Magnet Reset Tool

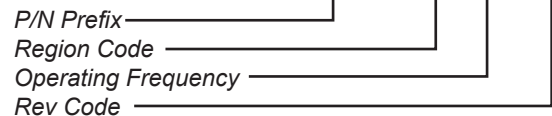
N2[®] POSITION INDICATOR FOR HD AND PV CLEANERS

NOMENCLATURE **EC1SQCH1S XX XX XXX**



N2[®] POSITION INDICATOR FOR XHD CLEANERS

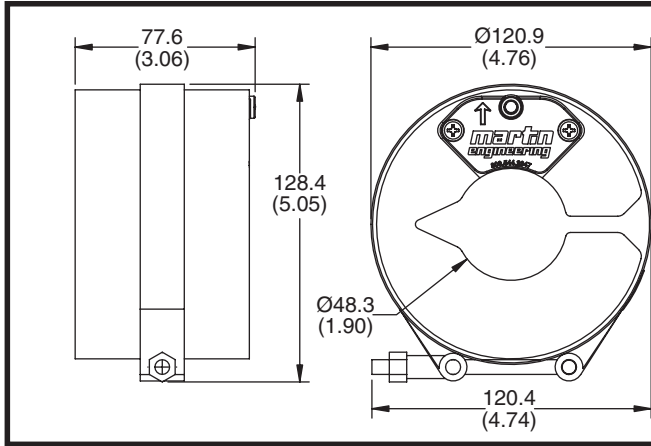
NOMENCLATURE **EC1SQCE1S XX XX XXX**



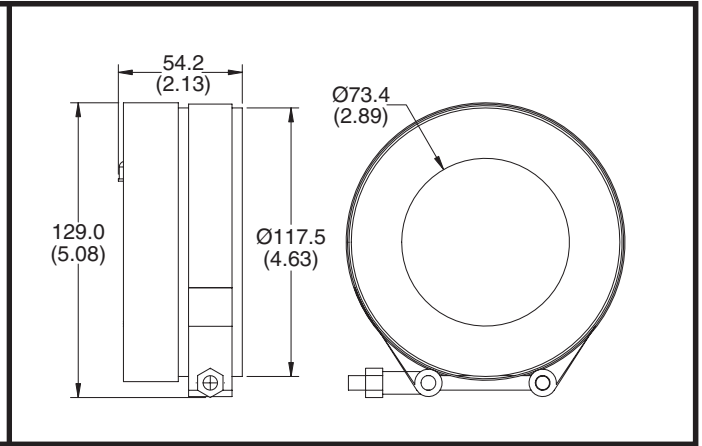
Country	PI Version	Assembly P/N	Operating Frequency
United States (US)	HD & PV	EC1SQCH1SUS02201	915 MHz
	XHD	EC1SQCE1SUS02201	
Brazil (BR)	HD & PV	EC1SQCH1SBR02201	915 MHz
	XHD	EC1SQCE1SBR02201	
	IPX	EC1SMZF1SBR02201	
Europe (EU)	HD & PV	EC1SQCH1SEU05211	868 MHz
	XHD	EC1SQCE1SEU05211	
India (IN)	HD & PV	EC1SQCH1SIN08211	865 MHz
	XHD	EC1SQCE1SIN08211	

TECHNICAL DATA SHEET

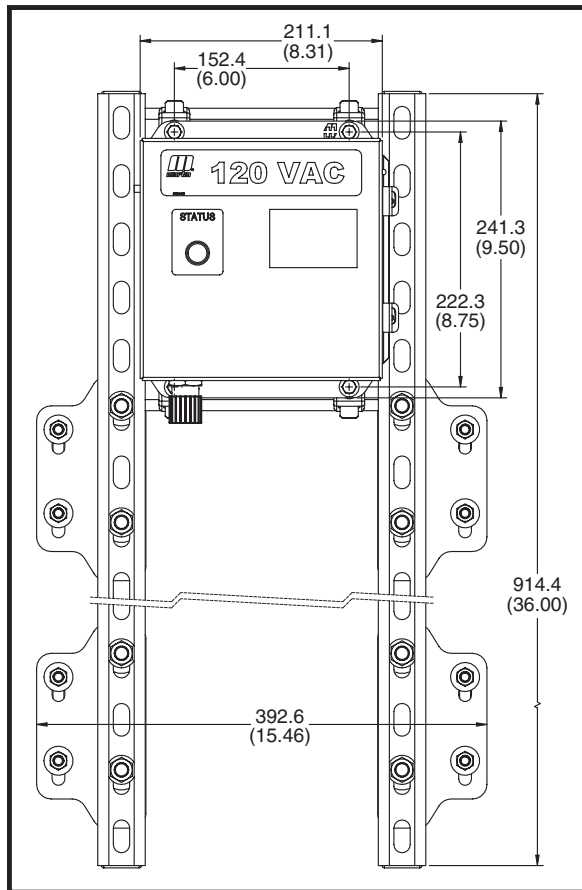
DIMENSIONS



N2® POSITION INDICATOR FOR HD AND PV CLEANERS



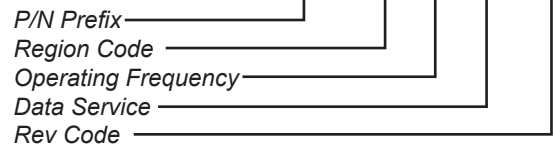
N2® POSITION INDICATOR FOR XHD CLEANERS



N2® GATEWAY

N2® GATEWAY

NOMENCLATURE EGC006 XX XX XX XXX



Country	N2® Gateway P/N	Operating Frequency	Data Service*
United States (US)	EGC006US02ES201	915 MHz	Eseye
Brazil (BR)	EGC006BR02ES201	915 MHz	Eseye
Europe (EU)	EGC006EU05ES201	868 MHz	Eseye
India (IN)	EGC006IN08ES201	865 MHz	Eseye

Notes: Add "L" at end of part number to receive assembly less mounting hardware.

*If cell service is unavailable - contact Martin Engineering.

N2® GATEWAY SPECIFICATIONS

Power Supply	Power Consumption	Service Temperature Range
50/60Hz 100-240VAC	0.75 Amps	-40° to 70°C (-40° to 158°F)



Martin Engineering USA

One Martin Place
Neponset, IL 61345-9766 USA
800 544 2947 or 309 852 2384
Fax 800 814 1553
www.martin-eng.com

**COMPANY WITH
QUALITY SYSTEM
CERTIFIED BY DNV GL
= ISO 9001 =**