



Powered by Menasha Corporation

# NEW 40 x 48 Odyssey Pallet Improves Handling Efficiency in Heavy-Duty Racking Applications

The 40 x 48 Odyssey pallet is designed for efficient handling of heavy loads in a wide variety of unsupported racking applications.

The efficient storage and transportation of palletized product is key to designing an effective and economical supply chain. The new Odyssey rackable pallet is a robust solution that supports heavy loads and provides load stability with unique design features, including optional steel reinforcements and permanent molded-in frictional elements.

The plastic Odyssey pallet is an ideal alternative to wood, as it is fully reusable and offers dimensional consistency optimized for automated equipment.

- **Racking strength** - High strength-to-weight ratio capable of unsupported rack loads up to 2,800 lbs
- **Load stability** - Permanent, molded-in frictional elements minimize load shifting and do not damage product packaging
- **Ergonomic** - Lightweight design and comfortable hand holds for easy manual handling
- **Impact resistant** - Robust and highly resistant to impact from equipment, ideal for rugged applications
- **Hygienic** - Flow-through, hygienic design for easy cleanability

ORBIS' latest innovation builds on the success of decades of pallet innovation, from materials to design. **Contact an ORBIS representative today to reduce transportation costs and streamline your operations.**



## Odyssey Applications

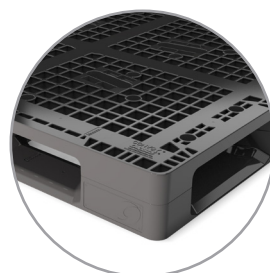
- General food processing, including cold and frozen storage of meat, bakery, produce and dairy
- Dry goods, including apparel, periodicals, pharmaceuticals and other consumer packaged goods
- Agriculture, including seed and farm materials
- Receipt of raw materials and finished goods storage



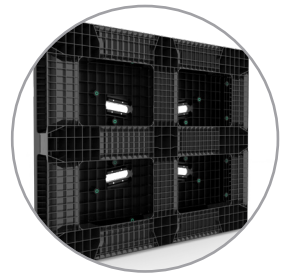
Minimize load shifting with optional molded-in frictional elements\*



Optional steel reinforcements offered in the 40", 48" or both directions



Keep plants and equipment clean with hygienic design options



Seamless conveyance with full stringer bottom

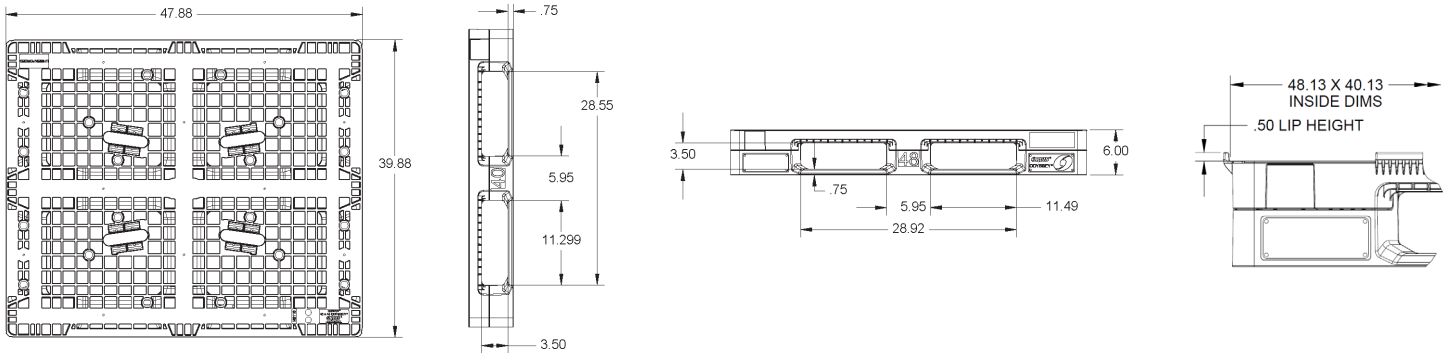
\*Frictional elements are offered in black only and are modeled in green solely for illustration.

# NEW 40 x 48 Odyssey Pallet Improves Handling Efficiency in Heavy-Duty Racking Applications

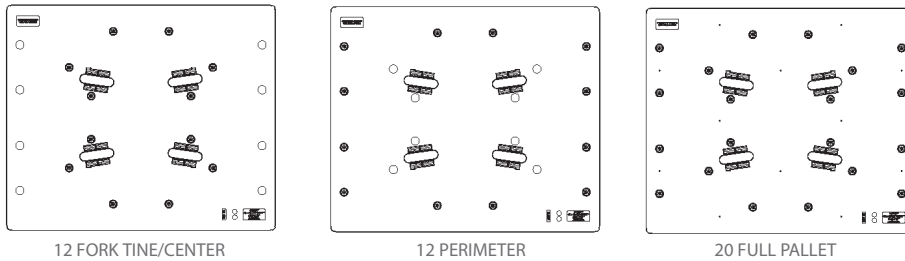
The 40 x 48 Odyssey pallet is designed for efficient handling of heavy loads in a wide variety of unsupported racking applications.

## Odyssey Specifications

### Pallet Dimensions



### Frictional Element Configurations



## Odyssey Model Options

Specifications (Upper Dimensions: English, Lower Dimensions: Metric)

Model	Dimensions (in/mm)			Weight (lbs/kg)	Load Capacity (lbs/kg)		Rack Rating (lbs/kg)		40' Truckload Quantity	53' Truckload Quantity*
	L	W	H		Static	Dynamic	Selective/Edge	Decking/Center		
40 x 48 Odyssey SD Open Deck	48.0	40.0	6.0	42.0	30,000	4,000	2,200	4,000	336	540
	1219	1016	152	19.1	13608	1814	998	1814		
40 x 48 Odyssey SD Solid Deck	48.0	40.0	6.0	45.0	30,000	4,000	2,200	4,000	336	540
	1219	1016	152	20.4	13608	1814	998	1814		
40 x 48 Odyssey HD** Open Deck & Reinforcements	48.0	40.0	6.0	49.0	30,000	6,000	2,800	6,000	336	540
	1219	1016	152	22.2	13608	2722	1270	2722		
40 x 48 Odyssey HD** Solid Deck & Reinforcements	48.0	40.0	6.0	52.0	30,000	6,000	2,800	6,000	336	540
	1219	1016	152	23.6	13608	2722	1270	2722		

\*Lip models offer a 53' truckload quantity of 510

\*\*Reinforcements available in 40", 48" or both directions

Feature options include:

- 1/2" Discontinuous lip
- Frictional elements
- Molded logos
- Hot stamps
- Track and trace